



PODEMCRANE



Electrical wire rope hoists
Standard product catalogue



Podemcrane/PODEM is the biggest manufacturer of electrical wire rope hoists in Central and Eastern Europe. In its history the Company has sold more than 1800000 units of lifting equipment in 40 countries around the world – the biggest sales history in the world ever.

Currently we are one of the biggest suppliers of crane components to the crane builders and end users around the world.

Our product is a result of 45 years experience in the development and production of hoisting mechanisms. The standard product catalogue covers a wide range of hoists up to the capacity of 50t. Many available lifting capacities, speeds, trolley types, duty classes and the comprehensive range of standard and additional features guarantee effective, safe and reliable solutions for business.

MT hoist offers benefits for new crane or for upgrading existing cranes with replacement hoists:

- Highest possible reliability levels offered in the industry (after a comprehensive tests to other leading world brands)
- Operational safety
- Long life
- Easy maintenance
- Low service costs
- Perfect for tougher working conditions
- Outstanding value for money

Standard technical and operational features include:

- Planetary reducer
- Double speed for lifting and travel
- Motor thermal protection and ventilation
- Overload limiter
- Lifting limit switch

Other possible technical features:

- Various power supply
- Ability to operate in various environmental conditions and climatic zones
- Curved monorail trolley
- Radio control
- Frequency controlled speed
- Other custom made solutions for different applications

Our product meet the required International and reliability regulations and comply with the Machine Directive 98/37/EEC.

PODEMCRANE



STANDARD HOISTS CATALOGUE



STANDARD ELECTRIC WIRE ROPE HOISTS

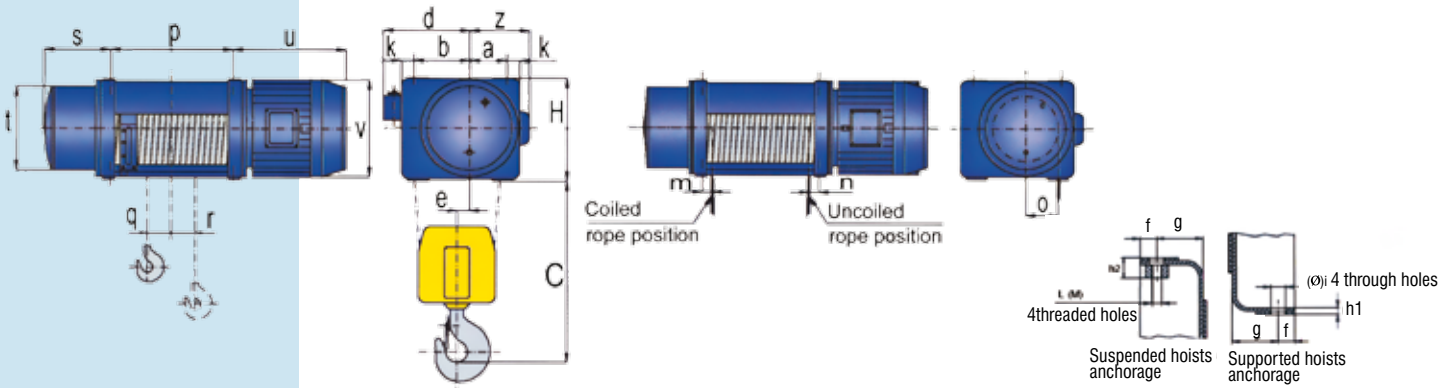
Capacity (Kg)	FEM ISO groups	Hoist type	Rope falls №	Lifting speed (m/min)		Hook travel (m)			
				V1	V2	H0	H1	H2	H3
800	3m M6	MT304	2/1	8/2,6	12/4	10	14	20	-
1000	2m M5	MT305	2/1	8/2,6	12/4	10	14	20	-
1250	3m M6	MT306	2/1	8/2,6	12/4	10	14	20	-
1600	3m M6	MT304	4/1	4/1,3	6/2	-	7	10	13
	2m M5	MT308	2/1	8/2,6	12/4	10	14	20	-
2000	3m M6	MT310	2/1	8/2,6	12/4	10	14	20	-
	2m M5	MT305	4/1	4/1,3	6/2	-	7	10	13
2500	3m M6	MT313	2/1	8/2,6	12/4	10	14	20	-
	3m M6	MT306	4/1	4/1,3	6/2	-	7	10	13
	2m M5	MT312	2/1	8/2,6	12/4	10	14	20	-
3200	2m M5	MT316	2/1	8/2,6	12/4	10	14	20	-
	2m M5	MT308	4/1	4/1,3	6/2	-	7	10	13
4000	3m M6	MT310	4/1	4/1,3	6/2	-	7	10	13
	3m M6	MT520	2/1	8/2,6	12/4	10	14	20	-
5000	3m M6	MT313	4/1	4/1,3	6/2	-	7	10	13
	2m M5	MT312	4/1	4/1,3	6/2	-	7	10	13
	2m M5	MT525	2/1	8/2,6	12/4	10	14	20	26
6300	3m M6	M732	2/1	8/2,6	12/1,8	14	19	26	-
	2m M5	MT316	4/1	4/1,3	6/2	-	7	10	13
8000	3m M6	MT520	4/1	4/1,3	6/2	-	7	10	13
	2m M5	M740	2/1	8/2,6	12/1,8	14	19	26	-
10000	2m M5	MT525	4/1	4/1,3	6/2	-	7	10	13
	2m M5	M950	2/1	5/1,2	10/1,5	-	20	32	-
16000	3m M6	M940	4/1	2,5/0,6	5/0,75	-	10	16	24
	2m M5	M740	4/1	4/1,3	6/0,9	7	9	13	16
20000	2m M5	M950	4/1	2,5/0,6	5/0,75	-	10	16	24
	2m M5	M1100	2/1	3/0,7	5/0,7	20	24	30	-
25000	1Am M4	M963	4/1	2,5/0,6	5/0,75	-	10	16	24
	1Am M4	M1125	2/1	3/0,7	5/0,7	20	24	30	-
32000	1Am M4	M980	4/1	2,5/0,6	3,7/0,6	-	10	16	24
40000	2m M5	M1100	4/1	1,5/0,35	2,5/0,35	10	12	15	22
50000	1Am M4	M1125	4/1	1,5/0,35	2,5/0,35	10	12	15	22

TYPE	Hoist travel speed (m/min), capacity to 16000kg	
Hoist with monorail electric trolley for standard headroom	20/5	15/3,8
Hoist with monorail electric trolley for low headroom	20/5	15/3,8
Hoist with double rail trolley	20/6	16/5

In addition to the standard product list Podemcrane offers advanced engineering for custom made solutions in different industry areas.

STANDARD HOISTS CATALOGUE

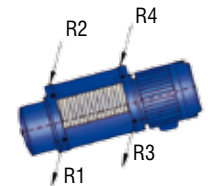
foot mounted hoist MT, 2 rope falls (reeving 2/1)



Hoist type	Capacity, kg	Rope, mm	Fixed dimensions, mm															
			C	H	a	b	k	d	e	f	g	h2	i	L	m	n	o	
1	2	3	4	5	6	7	8	9	10	11	12	13	14	15	16	17	18	19
MT305	1000	Ø7	500	321	105	190	50	300	53	19	27	13	28	15	14	45	48	84
MT308	1600	Ø7	600	321	105	190	50	300	53	19	27	13	28	15	14	45	48	84
MT312	2500	Ø10	670	321	105	190	50	300	40	19	27	13	34	17	20	48	56	110
MT316	3200	Ø10	670	321	105	190	50	300	40	19	27	13	34	17	20	48	56	110
MT525	5000	Ø12	770	378	133	212	53	325	41	21	31	18	48	21	24	60	61	133

Hoist type	Hook travel, m	Variable dimensions, mm										
		p	q	r	s	t	Motors					
							V1			V2		
1	2	3	4	5	6	7	8	9	10	11	12	13
MT305	10	395	91	61	200	218	376	220	150	376	220	150
	14	520	154	61	200	218	376	220	150	376	220	150
	20	700	244	61	200	218	376	220	150	376	220	150
MT308	10	395	91	61	200	218	376	220	150	483	257	181
	14	520	154	61	200	218	376	220	150	483	257	181
	20	700	244	61	200	218	376	220	150	483	257	181
MT312	10	440	90	77	246	292	483	257	181	483	257	181
	14	570	155	77	246	292	483	257	181	483	257	181
	20	775	258	77	246	292	483	257	181	483	257	181
MT316	10	440	90	77	246	292	483	257	181	607	310	240
	14	570	155	77	246	292	483	257	181	607	310	240
	20	775	258	77	246	292	483	257	181	607	310	240
MT525	10	455	90	78	266	360	616	310	251	661	310	251
	14	590	157	78	266	360	616	310	251	661	310	251
	20	795	260	78	266	360	616	310	251	661	310	251
	26	995	360	78	266	360	616	310	251	661	310	251

Hoist capacity, kg	Weight, kg			
	Hook travel, m			
	10	14	20	26
1000	165	172	190	-
1600	170	187	207	-
2500	225	255	285	-
3200	255	283	311	-
5000	404	445	485	525

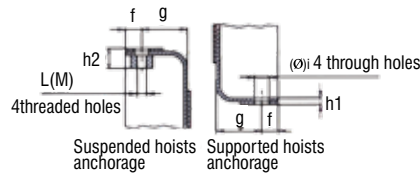
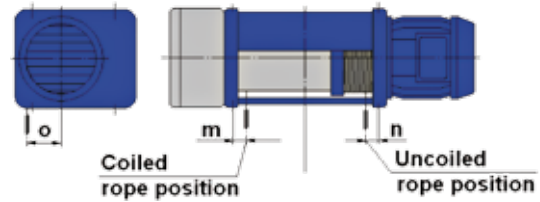
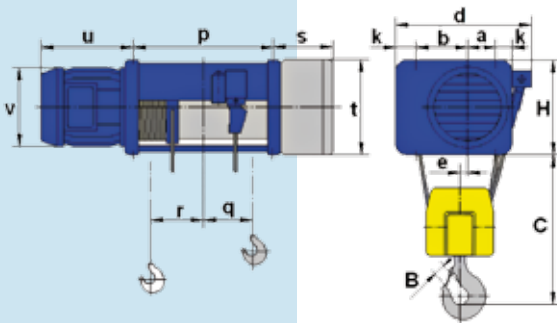


Hoist type	Capacity, kg	Hook position	Hook travel, m															
			10				14				20				26			
			R1	R2	R3	R4	R1	R2	R3	R4	R1	R2	R3	R4	R1	R2	R3	R4
1	2	3	4	5	6	7	8	9	10	11	12	13	14	15	16	17	18	19
MT305	1000	uep	351	404	114	131	378	435	87	100	400	461	65	74	-	-	-	-
		dep	169	195	295	341	187	215	277	321	198	228	267	307	-	-	-	-
MT308	1600	uep	561	647	182	210	604	697	139	160	640	738	103	119	-	-	-	-
		dep	271	312	472	545	299	344	444	513	316	365	427	492	-	-	-	-
MT312	2500	uep	916	885	355	344	997	964	274	265	1069	1034	202	195	-	-	-	-
		dep	433	419	838	810	475	459	796	770	522	504	749	725	-	-	-	-
MT316	3200	uep	1172	1133	455	440	1276	1233	351	340	1369	1323	258	250	-	-	-	-
		dep	555	536	1072	1037	608	588	1019	985	668	645	959	928	-	-	-	-
MT525	5000	uep	1729	1760	749	762	1899	1932	579	590	2050	2085	429	436	2136	2173	342	349
		dep	814	829	1664	1693	912	927	1567	1594	996	1013	1482	1509	1045	1063	1433	1459

uep – upper end position of the hook; dep – down end position of the hook.

PODEMCRANE

foot mounted hoist M, 2 rope falls (reeving 2/1)

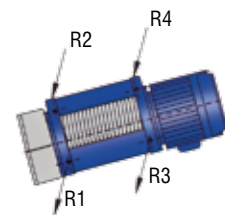


Hoist type	Capacity, kg	Rope, mm	Fixed dimensions, mm																
			B	C	H	a	b	k	d	e	f	g	h1	h2	i	L	m	n	o
M740	8000	Ø15	56	850	530	167,5	307,5	80,5	470	64	23,5	44,5	12	47	25	27	50	75	178
M950	10000	Ø20	71	1030	624	200	340	92	515	66,5	28,5	59,5	24	66	37	36	55	90	210
M1125	25000	Ø30	90	1325	804	232,5	452,5	137,5	705	89	40	80	19	58	37	30	75	120	276,5

Hoist type	Hook travel, m	Variable dimensions, mm																		
		p	q	r	s	t	Motors													
							u	v	u	v										
M740	14	553	148	78																
	19	713	178	128	299	400	674	311	512	410										
	26	928	285	128																
M950	20	840	228	118	314	400	517	470	523	470										
	32	1255	435	118																
M1125	20	977	305	105	415	400	589	470	589	470										
	24	1162	400	100																
	30	1402	520	100																

Hoist capacity, kg	Weight, kg		
	Hook travel, m		
8000	14	600	713
	20	654	713
10000	14	-	32
	20	1140	1280
25000	20	2350	2690
	24	2430	2690

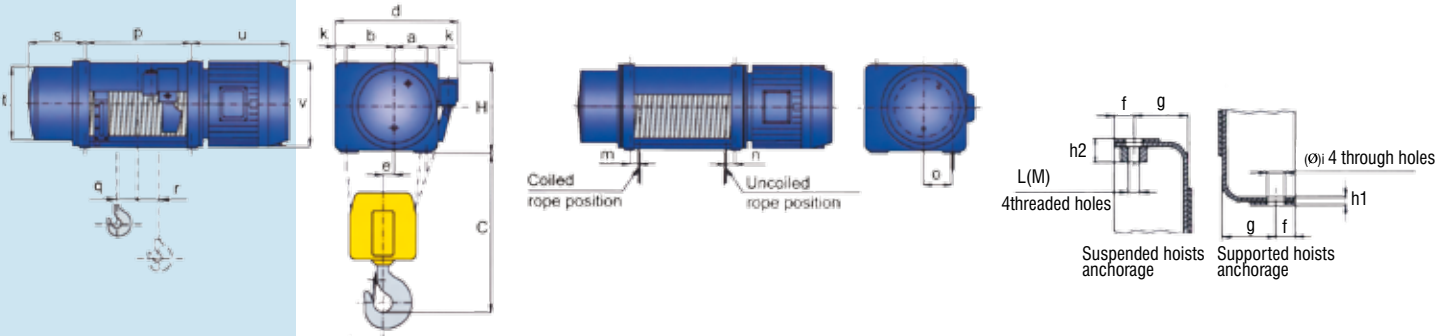
Hoist type	Capacity, kg	Hook travel, m	Hook position	Reactions, kg			
				R1	R2	R3	R4
M740	8000	14	uep	2993	3148	906	953
			dep	1400	1472	2499	2629
		19	uep	2923	3074	976	1027
			dep	1250	1314	2649	2787
		26	uep	3147	3310	752	791
			dep	1412	1485	2487	2616
M950	10000	20	uep	3807	3907	1128	1158
			dep	1774	1821	3161	3244
		32	uep	4178	4288	757	777
			dep	2004	2056	2931	3009
M1125	25000	20	uep	9530	10775	2204	2491
			dep	4606	5207	7128	8059
		24	uep	9906	11200	1828	2066
			dep	4857	5492	6876	7775
		30	uep	10219	11553	1515	1713
			dep	5030	5687	6704	7579



uep – upper end position of the hook; dep – down end position. of the hook

STANDARD HOISTS CATALOGUE

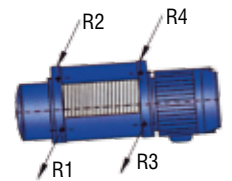
foot mounted hoist MT, 4 rope falls (reeving 4/1)



Hoist type	Capacity, kg	Rope, mm	Fixed dimensions, mm															
			C	H	a	b	k	d	e	f	g	h1	h2	i	L	m	n	o
1	2	3	4	5	6	7	8	9	10	11	12	13	14	15	16	17	18	19
MT305	2000	Ø7	505	321	105	190	50	469	27	19	27	13	28	15	14	45	48	84
MT308	3200	Ø7	550	321	105	190	50	469	27	19	27	13	28	15	14	45	48	84
MT312	5000	Ø10	615	321	105	190	50	469	21	19	27	13	34	17	20	48	56	110
MT316	6300	Ø10	635	321	105	190	50	469	21	19	27	13	34	17	20	48	56	110
MT525	10000	Ø12	670	378	133	212	53	544	17	21	31	18	48	21	24	60	61	133

Hoist type	Hook travel, m	Variable dimensions, mm								
		p	q	r	s	t	Motors			
							V1		V2	
1	2	3	4	5	6	7	8	9	10	11
MT305	7	520	132	-25	200	218	376	220	376	220
	10	700	222	-69	200	218	376	220	376	220
	13	885	314	-115	200	218	376	220	376	220
MT308	7	520	132	-25	200	218	376	220	483	257
	10	700	222	-69	200	218	376	220	483	257
	13	885	314	-115	200	218	376	220	483	257
MT312	7	570	137	-19	246	292	483	257	483	257
	10	775	240	-72	246	292	483	257	483	257
	13	975	340	-122	246	292	483	257	483	257
MT316	7	570	137	-19	246	292	483	257	607	310
	10	775	240	-72	246	292	483	257	607	310
	13	975	340	-122	246	292	483	257	607	310
MT525	7	590	133	-15	266	360	616	310	661	310
	10	795	236	-67	266	360	616	310	661	310
	13	995	336	-117	266	360	616	310	661	310

Hoist capacity, kg	Weight, kg		
	Hook travel, m		
2000	197	215	228
3200	213	232	240
5000	285	315	347
6300	313	341	370
10000	410	455	495

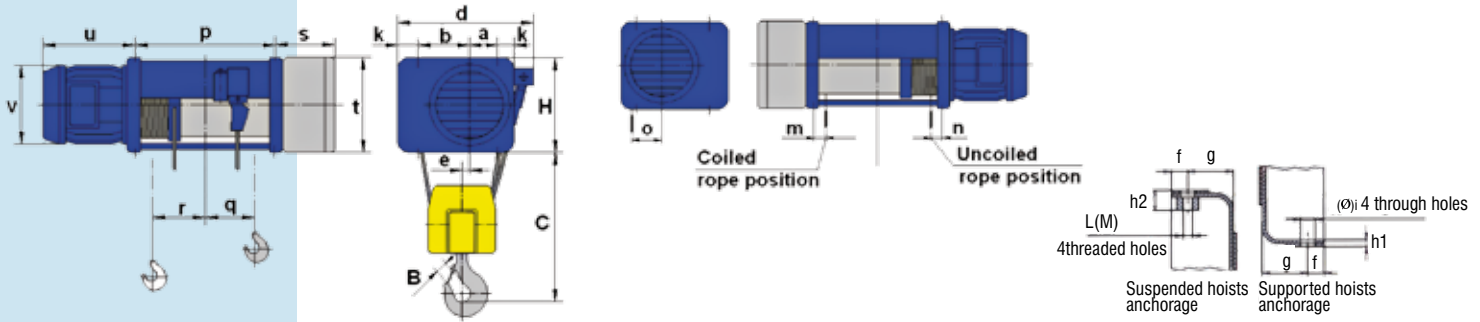


Hoist type	Capacity, kg	Hook position	Hook travel, m											
			7				10				13			
			R1	R2	R3	R4	R1	R2	R3	R4	R1	R2	R3	R4
1	2	3	4	5	6	7	8	9	10	11	12	13	14	15
MT305	2000	uep	838	669	274	219	908	726	203	163	951	759	161	129
		dep	609	487	503	401	666	531	446	357	700	559	412	329
MT308	3200	uep	1341	1071	438	350	1454	1161	325	260	1522	1215	257	206
		dep	975	779	804	642	1065	850	714	571	1120	894	659	527
MT312	5000	uep	2058	1644	722	576	2249	1796	531	424	2358	1883	422	337
		dep	1483	1184	1297	1036	1645	1315	1134	906	1738	1388	1042	832
MT316	6300	uep	2592	2071	910	727	2834	2263	669	534	2971	2372	532	425
		dep	1868	1492	1634	1306	2074	1657	1428	1141	2189	1749	1313	1049
MT525	10000	uep	4100	3154	1552	1194	4504	3465	1148	883	4735	3642	917	706
		dep	2970	2284	2683	2063	3303	2540	2350	1807	3491	2685	2161	1663

uep – upper end position of the hook; dep – down end position of the hook.

PODEMCRANE

foot mounted hoist M, 4 rope falls (reeving 4/1)

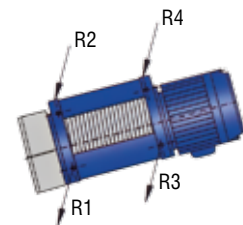


Hoist type	Capacity, kg	Rope, mm	Fixed dimensions, mm																
			B	C	H	a	b	k	d	e	f	g	h1	h2	i	L	m	n	o
1	2	3	4	5	6	7	8	9	10	11	12	13	14	15	16	17	18	19	20
M740	16000	Ø15	71	826	530	167,5	307,5	80,5	768	29,5	23,5	44,5	12	47	25	27	50	75	178
M963	25000	Ø20	90	920	624	200	340	92	856	20	28,5	59,5	24	66	37	36	55	90	210
M980	32000	Ø20	112	1100	624	200	340	92	856	20	28,5	59,5	24	66	37	36	55	90	210
M1125	50000	Ø30	112	1170	804	232,5	452,5	137,5	1135	54	40	80	19	58	37	30	75	120	276,5

Hoist type	Hook travel, m	Variable dimensions, mm														
		p	q	r	s	t	Motors									
							u	v	u	v						
1	2	3	4	5	6	7	8	9	10	11						
M740	7	553	37	76	299	400	674	311	512	410						
	9	713	117	36												
	13	928	225	-18												
	16	1143	332	-72												
M963	10	840	130	43	314	400	517	470	523	470						
	16	1255	337	-61												
	24	1755	587	-186												
	10	840	130	43												
M980	16	1255	337	-61	314	400	517	470	523	470						
	24	1755	587	-186												
	10	977	193	12							415	400	589	470	589	470
	12	1162	285	-35												
15	1402	405	-95													
22	1912	660	-222													

Hoist capacity, kg	Weight, kg			
	Hook travel, m			
	7	9	13	16
16000	650	700	850	1036
-	10	16	24	
25000	-	1290	1430	1760
-	10	16	24	
32000	-	1680	1840	2170
-	10	12	15	22
50000	2700	2790	3060	3690

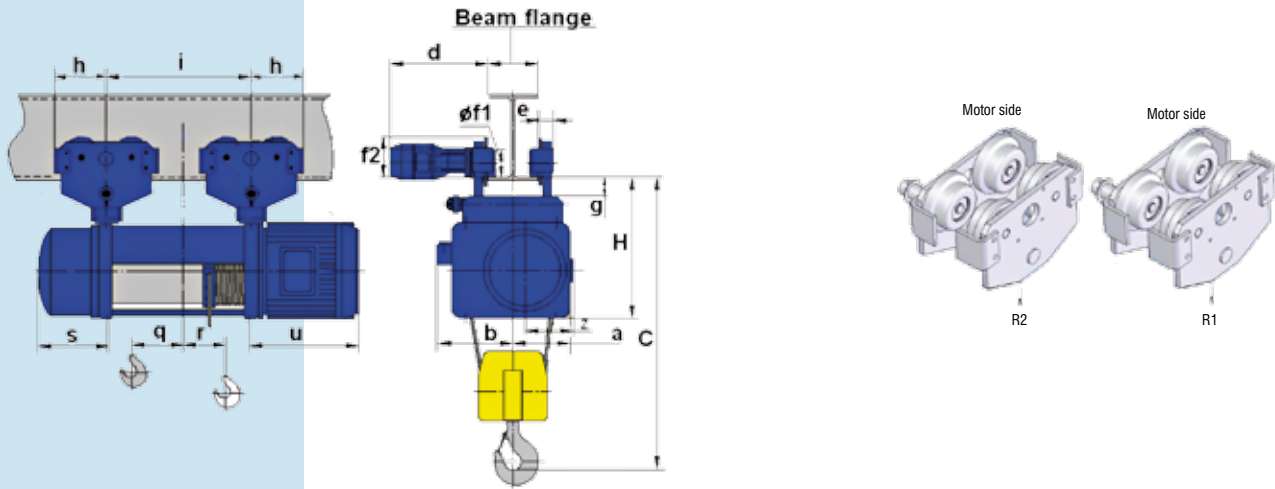
Hoist type	Capacity, kg	Hook travel, m	Hook position	Reactions, kg			
				R1	R2	R3	R4
1	2	3	4	5	6	7	8
M740	16000	7	uep	5309	3762	4055	2874
			dep	3395	2406	5969	4230
		9	uep	6218	4407	3146	2229
			dep	4209	2983	5155	3653
		13	uep	6948	4923	2417	1712
			dep	4864	3446	4501	3189
		16	uep	7402	5245	1962	1391
			dep	5272	3736	4092	2900
M963	25000	10	uep	9700	6669	5115	3516
			dep	6658	4577	8157	5608
		16	uep	11385	7826	3429	2360
			dep	6687	4598	8127	5588
		24	uep	12363	8499	2452	1686
			dep	8978	6172	5837	4013
M980	32000	10	uep	12416	8536	6548	4500
			dep	8522	5859	10441	7178
		16	uep	14573	10017	4389	3021
			dep	8559	5885	10401	7155
		24	uep	15824	10879	3139	2158
			dep	11491	7900	7471	5138
M1125	50000	10	uep	20290	14587	8798	6325
			dep	14187	10199	14901	10713
		12	uep	21678	15585	7410	5327
			dep	15420	11086	13668	9826
		15	uep	22947	16497	6141	4415
			dep	16515	11873	12573	9039
		22	uep	24584	17675	4503	3238
			dep	17921	12884	11167	8028



uep – upper end position of the hook; dep – down end position of the hook.

STANDARD HOISTS CATALOGUE

normal headroom hoist MT; 2 rope falls (reeving 2/1)



Hoist type	Capacity, kg	Rope, mm	Fixed dimensions, mm										Max beam flange width	Min beam flange width
			C	H	a	b	d	e	f1	f2	g	h		
1	2	3	4	5	6	7	8	9	10	11	12	13	14	15
MT305	1000	Ø7	996	496	208	247	380	53	120	142	30	190	300	130
MT308	1600	Ø7	1096	496	208	247	380	53	120	142	30	190	300	130
MT312	2500	Ø10	1166	496	195	260	380	53	120	142	30	190	300	130
MT316	3200	Ø10	1166	496	195	260	380	53	120	142	30	190	300	130
MT525	5000	Ø12	1356	586	227	284	415	53	120	164	30	215	300	130

Hoist type	Hook travel, m	Variable dimensions, mm							
		i	q	r	s	Motors			
						V1		V2	
1	2	3	4	5	6	7	8	9	10
MT305	10	395	91	61	200	376	150	376	150
	14	520	154	61	200	376	150	376	150
	20	700	244	61	200	376	150	376	150
	26	995	360	61	200	376	150	376	150
MT308	10	395	91	61	200	376	150	483	181
	14	520	154	61	200	376	150	483	181
	20	700	244	61	200	376	150	483	181
	26	995	360	61	200	376	150	483	181
MT312	10	440	90	77	246	483	181	483	181
	14	570	155	77	246	483	181	483	181
	20	775	258	77	246	483	181	483	181
	26	1070	360	77	246	483	181	483	181
MT316	10	440	90	77	246	483	181	607	240
	14	570	155	77	246	483	181	607	240
	20	775	258	77	246	483	181	607	240
	26	1070	360	77	246	483	181	607	240
MT525	10	455	90	78	266	616	251	661	251
	14	590	157	78	266	616	251	661	251
	20	795	260	78	266	616	251	661	251
	26	995	360	78	266	616	251	661	251

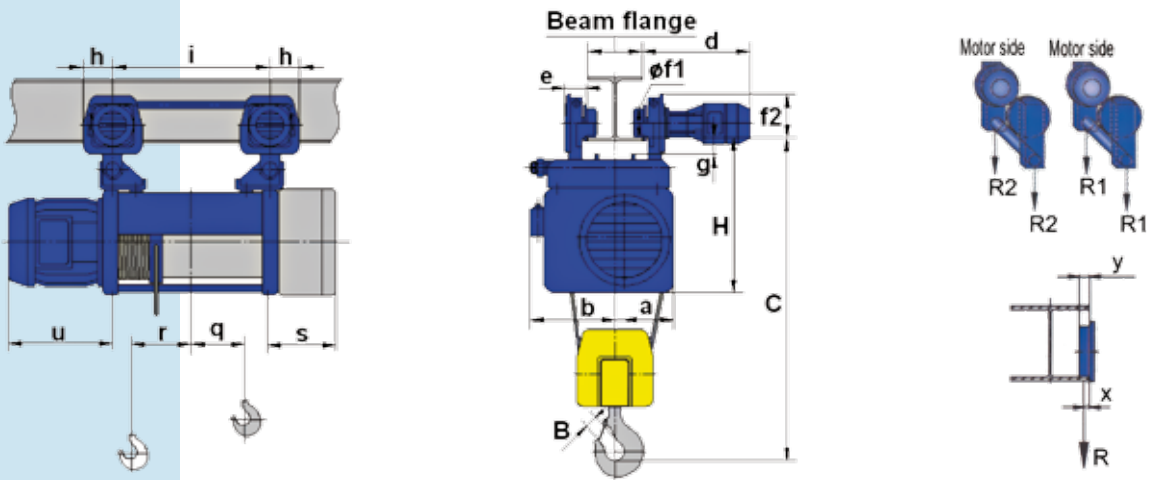
Hoist capacity, kg	Weight, kg			
	Hook travel, m			
	10	14	20	26
1000	275	282	300	-
1600	280	297	317	-
2500	340	370	400	-
3200	370	398	426	-
5000	510	525	540	600

Hoist type	Capacity, kg	Hook position	Hook travel, m							
			10		14		20		26	
			R1	R2	R1	R2	R1	R2	R1	R2
1	2	3	4	5	6	7	8	9	10	11
MT305	1000	uep	722	278	786	214	842	158	-	-
		dep	336	664	378	622	406	594	-	-
MT308	1600	uep	1154	446	1258	342	1346	254	-	-
		dep	536	1064	604	996	650	950	-	-
MT312	2500	uep	1812	688	1970	530	2110	390	-	-
		dep	864	1636	944	1556	1034	1466	-	-
MT316	3200	uep	2320	880	2520	680	2700	500	-	-
		dep	1106	2094	1208	1992	1324	1876	-	-
MT525	5000	uep	3428	1572	3788	1212	4100	900	4298	702
		dep	1588	3412	1796	3204	1990	3010	2088	2912

uep – upper end position of the hook; dep – down end position of the hook.

Note: load on the single wheel : R1/4, R2/4

normal headroom hoist M, 2 rope falls (reeving 2/1)



Hoist type	Capacity, kg	Rope, mm	Fixed dimensions, mm											Max beam flange width	Min beam flange width
			B	C	H	a	b	d	e	f1	f2	g	h		
1	2	3	4	5	6	7	8	9	10	11	12	13	14	15	16
M740	8000	Ø15	56	1635	745	308	410	515	100	200	225	46	135	300	150

Hoist type	Hook travel, m	Variable dimensions, mm					
		i	q	r	s	Motors	
						V1	V2
1	2	3	4	5	6	7	8
M740	14	553	148	78	299	674	512
	19	713	178	128			
	26	928	285	128			

Wheel diameter, mm	x	y
200	22	45

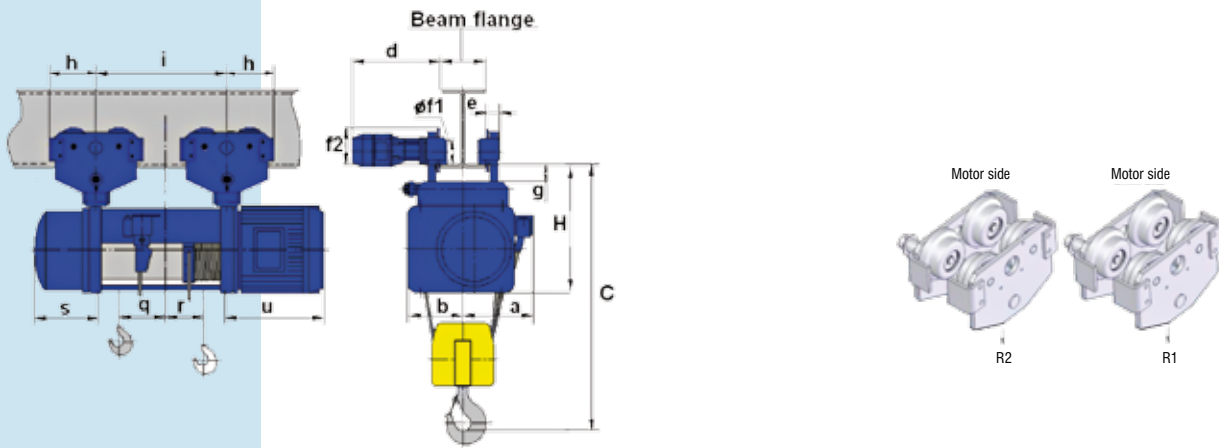
Hoist type	Capacity, kg	Hook travel, m	Hook position	Reactions, kg	
				R1	R2
1	2	3	4	5	6
M740	8000	14	uep	930	3070
			dep	2564	1436
		19	uep	1002	2998
			dep	2718	1282
		26	uep	772	3228
			dep	2551	1449

Hoist capacity, kg	Weight, kg		
	Hook travel, m		
8000	14	19	26
	975	1143	1193

uep – upper end position of the hook; dep – down end position of the hook.

STANDARD HOISTS CATALOGUE

normal headroom hoist MT, 4 rope falls (reeving 4/1)



Hoist type	Capacity, kg	Rope, mm	Fixed dimensions, mm											Max beam flange width	Min beam flange width
			C	H	a	b	d	e	f1	f2	g	h			
1	2	3	4	5	6	7	8	9	10	11	12	13	14	15	
MT305	2000	Ø7	1001	496	256	213	380	53	120	142	30	190	300	130	
MT308	3200	Ø7	1046	496	256	213	380	53	120	142	30	190	300	130	
MT312	5000	Ø10	1111	469	251	218	380	53	120	142	30	190	300	130	
MT316	6300	Ø10	1131	496	251	218	380	53	120	142	30	190	300	130	
MT525	10000	Ø12	1256	586	296	248	415	63	140	164	30	215	300	150	

Hoist type	Hook travel, m	Variable dimensions, mm						Motors	
		i	q	r	s	Motors			
						V1	V2		
1	2	3	4	5	6	7	8		
MT305	7	520	132	-25	200	376	376		
	10	700	222	-69	200	376	376		
	13	885	314	-115	200	376	376		
MT308	7	520	132	-25	200	376	483		
	10	700	222	-69	200	376	483		
	13	885	314	-115	200	376	483		
MT312	7	570	137	-19	246	483	483		
	10	775	240	-72	246	483	483		
	13	975	340	-122	246	483	483		
MT316	7	570	137	-19	246	483	607		
	10	775	240	-72	246	483	607		
	13	975	340	-122	246	483	607		
MT525	7	590	133	-15	266	616	661		
	10	795	236	-67	266	616	661		
	13	995	336	-117	266	616	661		

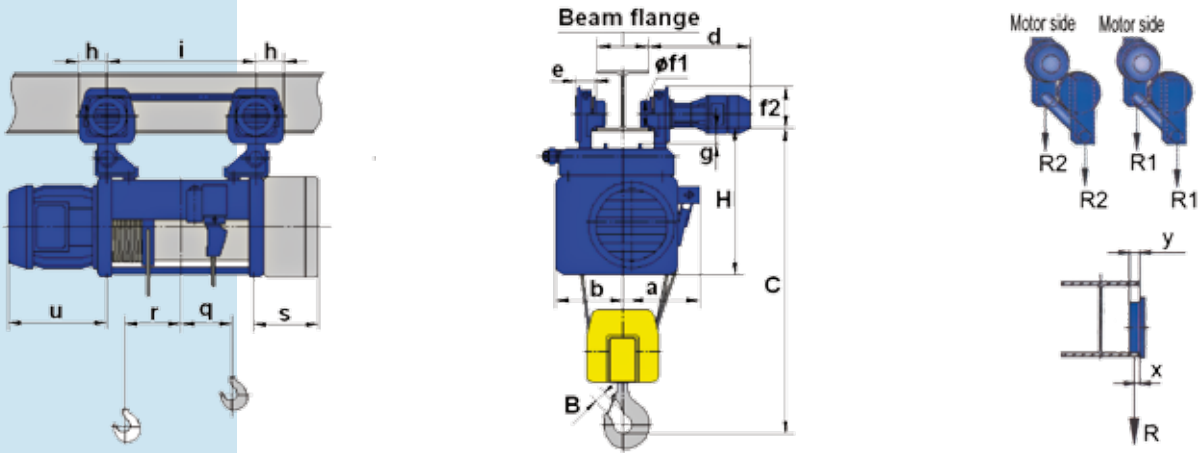
Hoist capacity, kg	Weight, kg		
	Hook travel, m		
	7	10	13
2000	290	308	320
3200	310	330	355
5000	395	425	457
6300	443	471	500
10000	525	560	600

Hoist type	Capacity, kg	Hook position	Hook travel, m					
			7		10		13	
			R1	R2	R1	R2	R1	R2
1	2	3	4	5	6	7	8	9
MT305	2000	uep	1508	492	1634	366	1710	290
		dep	1096	904	1196	804	1258	742
MT308	3200	uep	2412	788	2614	586	2736	464
		dep	1754	1446	1914	1286	2014	1186
MT312	5000	uep	3702	1298	4044	956	4240	760
		dep	2666	2334	2960	2040	3126	1874
MT316	6300	uep	4664	1636	5096	1204	5344	956
		dep	3360	2940	3730	2570	3938	2362
MT525	10000	uep	7254	2746	7968	2032	8376	1624
		dep	5254	4746	5842	4158	6176	3824

uep – upper end position of the hook; dep – down end position of the hook

Note: load on the single wheel : R1/4, R2/4

normal headroom hoist M, 4 rope falls (reeving 4/1)



Hoist type	Capacity, kg	Rope, mm	Fixed dimensions, mm											Max beam flange width	Min beam flange width
			B	C	H	a	b	d	e	f1	f2	g	h		
1	2	3	4	5	6	7	8	9	10	11	12	13	14	15	16
M740	16000	Ø15	71	1600	771	410	358	550	122	250	282	50	176	300	150

Hoist type	Hook travel, m	Variable dimensions, mm					
		i	q	r	s	Motors	
						V1	V2
1	2	3	4	5	6	7	8
M740	7	553	37	70	299	674	512
	9	713	117	36			
	13	928	224	-18			
	16	1143	332	-72			

Wheel diameter, mm	x	y
250	22	45

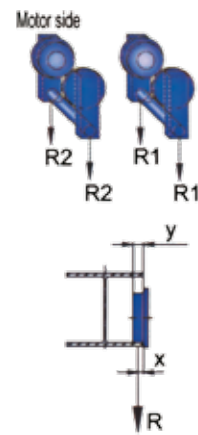
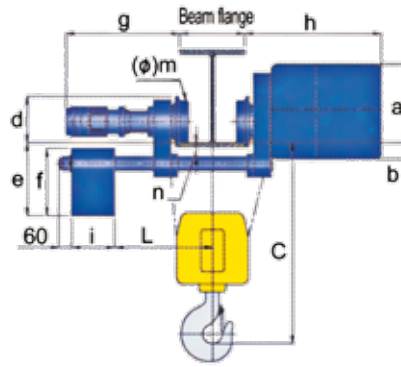
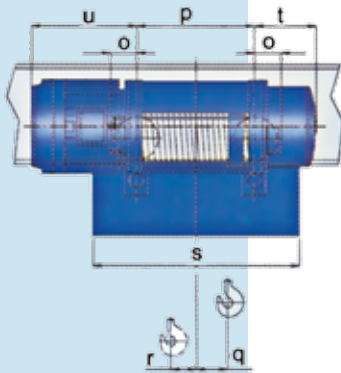
Hoist type	Capacity, kg	Hook travel, m	Hook position	Reactions, kg	
				R1	R2
1	2	3	4	5	6
M740	16000	7	uep	3465	4535
			dep	5012	2988
		9	uep	2687	5313
			dep	4404	3596
		13	uep	2069	5931
			dep	3845	4155
		16	uep	1677	6323
			dep	3496	4504

Hoist capacity, kg	Weight, kg			
	Hook travel, m			
16000	7	9	13	16
	990	1160	1330	1515

uep – upper end position of the hook; dep – down end position of the hook.

STANDARD HOISTS CATALOGUE

low headroom hoist MT, 2 rope falls (reeving 2/1)



Hoist type	Capacity, kg	Rope, mm	Fixed dimensions, mm													Max beam flange width x C meas*	Min beam flange width
			C	a	b	d	e	f	g	h	i	L	m	n	o		
1	2	3	4	5	6	7	8	9	10	11	12	13	14	15	16	17	18
MT305	1000	Ø7	649	265	45	114	340	310	420	455	12	550...465	97,5	61	83	300	130
MT308	1600	Ø7	749	265	45	114	340	310	420	455	12	550...465	97,5	61	83	300	130
MT312	2500	Ø10	819	240	69	140	369	310	426	468	12	624...539	122	82	100	300	130
MT316	3200	Ø10	819	240	69	140	369	310	426	468	12	624...539	122	82	100	300	130
MT525	5000	Ø12	924	283	71	146	359	310	483	524	40	631...546	122	77	95	300	130

Hoist type	Hook travel, m	Variable dimensions, mm							Motors	
		p	q	r	s	t	u	u	V1	V2
									8	9
1	2	3	4	5	6	7	8	9		
MT305	10	395	88	65	700	200	376	376		
	14	520	149	65	700	200	376	376		
	20	700	239	65	800	200	376	376		
	26	924	355	82	1100	266	616	661		
MT308	10	395	88	65	700	200	376	483		
	14	520	149	65	700	200	376	483		
	20	700	239	65	800	200	376	483		
	26	924	355	82	1100	266	616	661		
MT312	10	440	99,5	68	700	246	483	483		
	14	570	164,5	68	700	246	483	483		
	20	775	267	68	900	246	483	483		
	26	995	355	82	1100	266	616	661		
MT316	10	440	99,5	68	700	246	483	607		
	14	570	164,5	68	700	246	483	607		
	20	775	267	68	900	246	483	607		
	26	995	355	82	1100	266	616	661		
MT525	10	455	85	82	700	266	616	661		
	14	590	152,5	82	700	266	616	661		
	20	795	255	82	900	266	616	661		
	26	995	355	82	1100	266	616	661		

Wheel diameter, mm	x	y
97,5	20	40
122	20	40

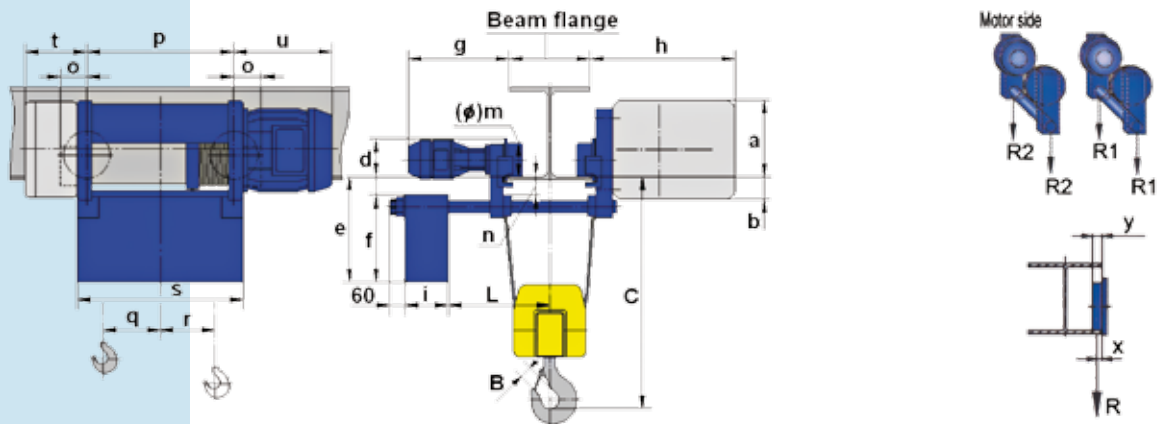
Hoist capacity, kg	Weight, kg			
	Hook travel, m			
	10	14	20	26
1000	270	277	295	-
1600	275	293	306	-
2500	326	361	386	-
3200	356	374	412	-
5000	500	515	530	590

Hoist type	Capacity, kg	Hook position	Hook travel, m								
			10		14		20		26		
			R1	R2	R1	R2	R1	R2	R1	R2	
1	2	3	4	5	6	7	8	9	10	11	
MT305	1000	uep	361	139	393	107	421	79	-	-	-
		dep	168	332	189	311	203	297	-	-	-
MT308	1600	uep	577	223	629	171	673	127	-	-	-
		dep	268	532	302	498	325	475	-	-	-
MT312	2500	uep	906	344	985	265	1055	195	-	-	-
		dep	432	818	472	778	517	733	-	-	-
MT316	3200	uep	1160	440	1260	340	1350	250	-	-	-
		dep	553	1047	604	996	662	938	-	-	-
MT525	5000	uep	1714	786	1894	606	2050	450	2141	359	-
		dep	794	1706	898	1602	995	1505	1044	1456	-

uep – upper end position of the hook; dep – down end position of the hook.

*For wider beam flanges, as specified, the measure "C" (space required by the hook) increases of 12 mm with every 10 mm beam flange width.

low headroom hoist M, 2 rope falls (reeving 2/1)



Hoist type	Capacity, kg	Rope, mm	Fixed dimensions, mm														Max beam flange width x C meas*	Min beam flange width
			B	C	a	b	d	e	f	g	h	i	L	m	n	o		
1	2	3	4	5	6	7	8	9	10	11	12	13	14	15	16	17	18	19
M740	8000	Ø15	56	925	454,5	75,5	218	395	365	430	762	230	650...565	200	42,5	145	300	130

Hoist type	Hook travel, m	Variable dimensions, mm							Motors	
		p	q	r	s	t	V1	V2		
							u	u		
1	2	3	4	5	6	7	8	9		
M740	14	553	130	83	673	299	674	512		
	19	713	160	133	833					
	26	928	268	133	1048					

Wheel diameter, mm	x	y
200	22	45

Hoist type	Capacity, kg	Hook travel, m	Hook position	Reactions, kg	
				R1	R2
1	2	3	4	5	6
M740	8000	14	uep	1060	2940
			dep	2600	1400
		19	uep	1103	2897
			dep	2746	1254
		26	uep	845	3155
			dep	2573	1427

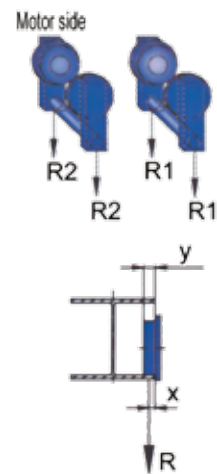
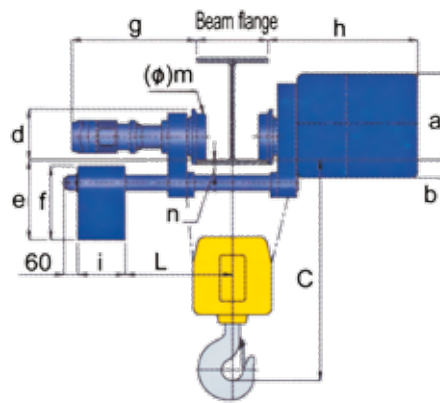
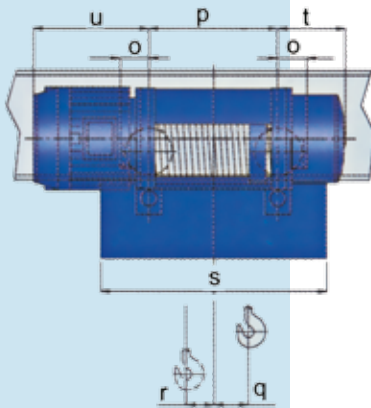
Hoist capacity, kg	Weight, kg		
	Hook travel, m		
	14	19	26
8000	870	1000	1080

uep – upper end position of the hook; dep – down end position of the hook

*For wider beam flanges, as specified, the measure "C" (space required by the hook) increases of 12 mm with every 10 mm beam flange width.

STANDARD HOISTS CATALOGUE

low headroom hoist MT, 4 rope falls (reeving 4/1)



Hoist type	Capacity, kg	Rope, mm	Fixed dimensions, mm													Max beam flange width x C meas*	Min beam flange width
			C	a	b	d	e	f	g	h	i	L	m	n	o		
1	2	3	4	5	6	7	8	9	10	11	12	13	14	15	16	17	18
MT305	2000	Ø7	654	240	69	140	369	310	417	472	12	624...539	122	82	100	300	130
MT308	3200	Ø7	699	240	69	140	369	310	417	472	12	624...539	122	82	100	300	130
MT312	5000	Ø10	769	240	69	140	359	310	473	472	40	631...546	122	77	95	300	130
MT316	6300	Ø10	773	262	47	174	343	310	526	481	40	621...536	155	60	117	300	150
MT525	10000	Ø12	813	304	50	174	333	310	536	547	200	556...481	155	58	120	300	150

Hoist type	Hook travel, m	Variable dimensions, mm						
		p	q	r	s	t	Motors	
							V1	V2
1	2	3	4	5	6	7	8	9
MT305	7	520	64	43	700	200	376	376
	10	700	154	-2	800	200	376	376
	13	885	247	-47	1000	200	376	376
MT308	7	520	64	43	700	200	376	483
	10	700	154	-2	800	200	376	483
	13	885	247	-47	1000	200	376	483
MT312	7	570	24	94	700	246	483	483
	10	775	127	41	900	246	483	483
	13	975	227	-9	1100	246	483	483
MT316	7	570	24	94	700	246	483	607
	10	775	127	41	900	246	483	607
	13	975	227	-9	1100	246	483	607
MT525	7	590	60	58	700	266	616	661
	10	795	163	6	900	266	616	661
	13	995	263	-43	1100	266	616	661

Wheel diameter, mm	x	y
122	20	40
155	22	45

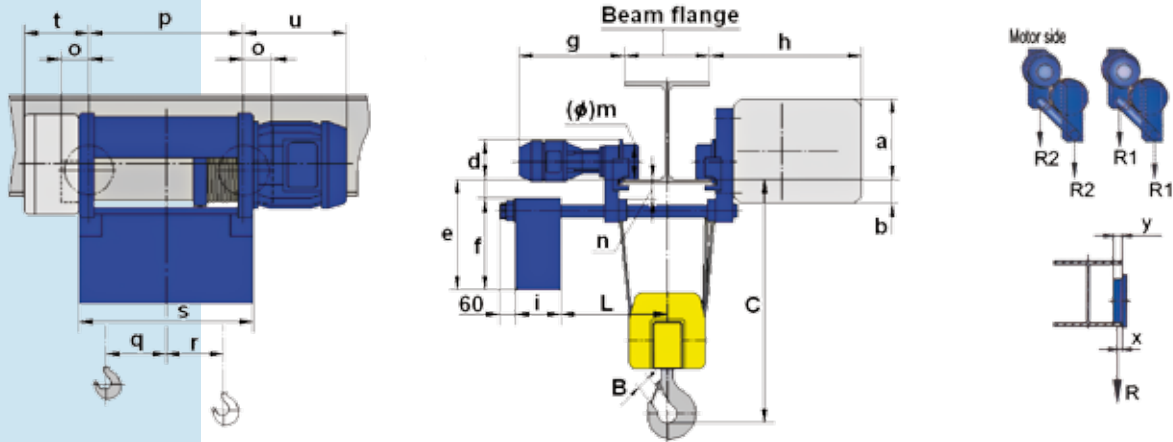
Hoist type	Capacity, kg	Hook position	Hook travel, m					
			7		10		13	
			R1	R2	R1	R2	R1	R2
1	2	3	4	5	8	9	10	11
MT305	2000	uep	622	378	720	280	778	222
		dep	583	417	502	498	553	447
MT308	3200	uep	997	603	1152	448	1246	354
		dep	933	667	804	796	885	715
MT312	5000	uep	1356	1144	1658	842	1831	669
		dep	838	1662	1118	1382	1273	1227
MT316	6300	uep	1708	1442	2089	1061	2307	843
		dep	1056	2094	1409	1741	1604	1546
MT525	10000	uep	3009	1991	3522	1478	3819	1181
		dep	2009	2991	2463	2537	2716	2284

Hoist capacity, kg	Weight, kg		
	Hook travel, m		
	7	10	13
2000	298	315	328
3200	300	340	370
5000	447	458	480
6300	460	482	513
10000	530	555	590

uep – upper end position of the hook; dep – down end position of the hook

*For wider beam flanges, as specified, the measure "C" (space required by the hook) increases of 12 mm with every 10 mm beam flange width.

low headroom hoist M, 4 rope falls (reeving 4/1)



Hoist type	Capacity, kg	Rope, mm	Fixed dimensions, mm															Max beam flange width x C meas*	Min beam flange width
			B	C	a	b	d	e	f	g	h	i	L	m	n	o			
1	2	3	4	5	6	7	8	9	10	11	12	13	14	15	16	17	18	19	
M740	16000	Ø15	71	910	454,5	75,5	273	395	365	522	772	230	640...555	250	42,5	178	300	130	

Hoist type	Hook travel, m	Variable dimensions, mm							Motors	
		p	q	r	s	t	u	u	V1	V2
									u	u
1	2	3	4	5	6	7	8	9		
M740	7	553	21	88	673					
	9	713	65	75	833	299	674	512		
	13	928	156	45	1048					
	16	1143	264	-17	1263					

Wheel diameter, mm	x	y
250	22	45

Hoist type	Capacity, kg	Hook travel, m	Hook position	Reactions, kg	
				R1	R2
1	2	3	4	5	6
M740	16000	7	uep	3704	4296
			dep	5266	2734
		9	uep	3277	4723
			dep	4836	3164
		13	uep	2655	5345
			dep	4151	3849
		16	uep	2156	5844
			dep	3883	4117

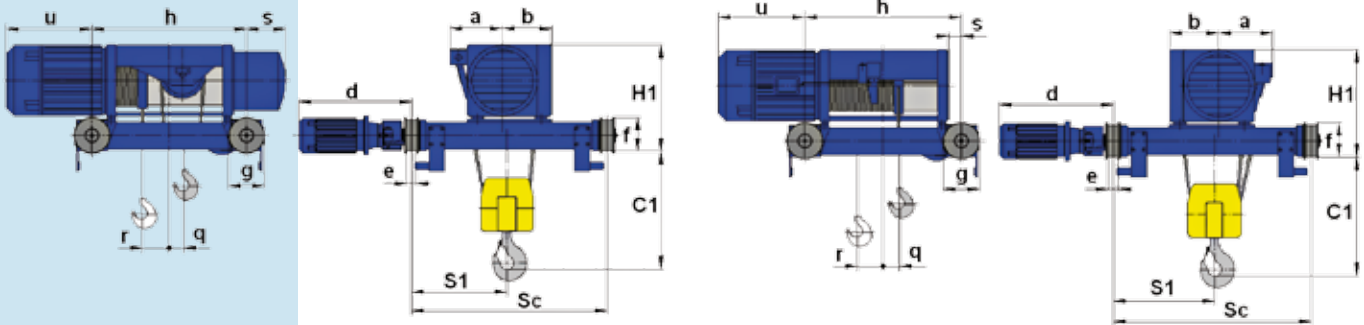
Hoist capacity, kg	Weight, kg			
	Hook travel, m			
	7	9	13	16
16000	1160	1275	1505	1725

uep – upper end position of the hook; dep – down end position of the hook

*For wider beam flanges, as specified, the measure "C" (space required by the hook) increases of 12 mm with every 10 mm beam flange width.

STANDARD HOISTS CATALOGUE

double girder trolley, 4 rope falls (reeving 4/1)



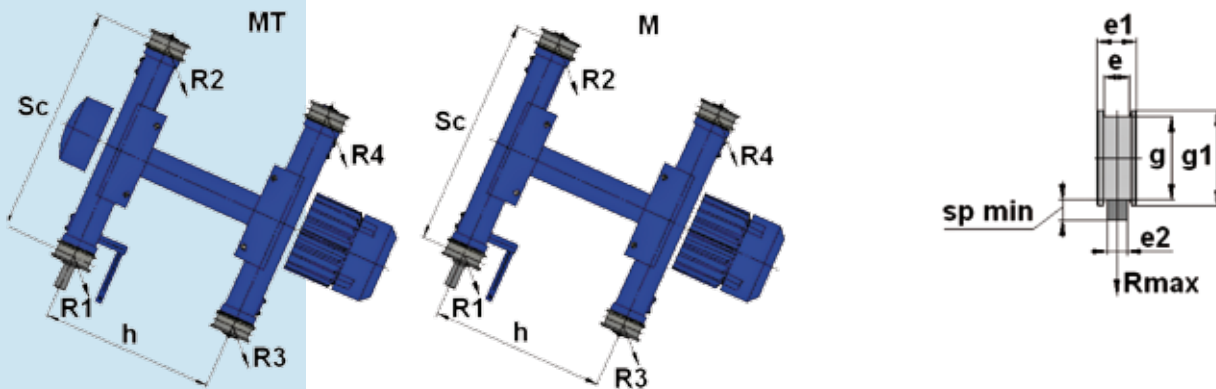
Hoist type	Capacity, kg	Fixed dimensions, mm													
		C1	Sc	S1	H1	a	b	d*	e	e1	e2	f	g	g1	sp
1	2	3	4	5	6	7	8	9	10	11	12	13	14	15	16
MT305	2000	505	1000	484	476	229	240	465	50	75	40	173	160	185	30
MT308	3200	550	1000	484	476	229	240	465	50	75	40	173	160	185	30
MT312	5000	615	1000	478	476	229	240	500	50	75	40	173	160	185	30
MT316	6300	635	1000	478	476	229	240	500	50	75	40	173	160	185	30
MT525	10000	670	1000	477	543	279	265	575	50	75	40	173	160	185	30
M740	16000	826	1200	640	735	410	358	610	60	90	50	220	200	240	40

d* - for travel speed 20/6 m/min.

Hoist type	Hook travel, m	Weight, kg		Variable dimensions, mm							Motors	
		V1	V2	h	q	r	s	Motors				
								V1	V2			
1	2	3	4	5	6	7	8	9	10			
MT3051	7	374	378	720	132	-25	99,5	257	276			
MT3052	10	394	398	900	222	-69	99,5	257	276			
MT3053	13	422	426	1085	314	-115	99,5	257	276			
MT3081	7	378	416	720	132	-25	99,5	276	383			
MT3082	10	398	436	900	222	-69	99,5	276	383			
MT3083	13	426	464	1085	314	-115	99,5	276	383			
MT3121	7	512	519	770	137	-19	146	383	383			
MT3122	10	544	550	975	239,5	-71,5	146	383	383			
MT3123	13	576	583	1175	339,5	-122	146	383	383			
MT3161	7	524	549	770	137	-19	146	383	507			
MT3162	10	556	581	975	239,5	-71,5	146	383	507			
MT3163	13	588	613	1175	339,5	-122	146	383	507			
MT5251	7	670	-	790	133	-15	166	512	-			
MT5252	10	710	-	995	236	-67	166	512	-			
MT5253	13	750	-	1195	336	-117	166	512	-			
M7401	7	1343	1418	833	64	45	91,5	594	392			
M7402	9	1390	1465	993	117	36	91,5	594	392			
M7403	13	1555	1630	1208	224	-18	91,5	594	392			

suspended version / solution possible

double girder trolley, 4 rope falls (reeving 4/1)



Hoist type	Capacity, kg	Hook travel, m											
		7				10				13			
		R1	R2	R3	R4	R1	R2	R3	R4	R1	R2	R3	R4
1	2	3	4	5	6	7	8	9	10	11	12	13	14
MT305	2000	814	740	420	400	881	803	363	347	934	854	324	310
MT308	3200	1237	1137	618	586	1345	1239	520	494	1424	1314	455	433
MT312	5000	1901	1721	980	910	2086	1892	811	755	2209	2005	704	658
MT316	6300	2361	2143	1205	1115	2593	2357	988	918	2748	2498	850	791
MT525	10000	3664	3316	1921	1769	4034	3656	1571	1449	4275	3875	1350	1250
M740	16000	4633	5193	3533	3984	4948	5552	3242	3648	5492	6169	2779	3115

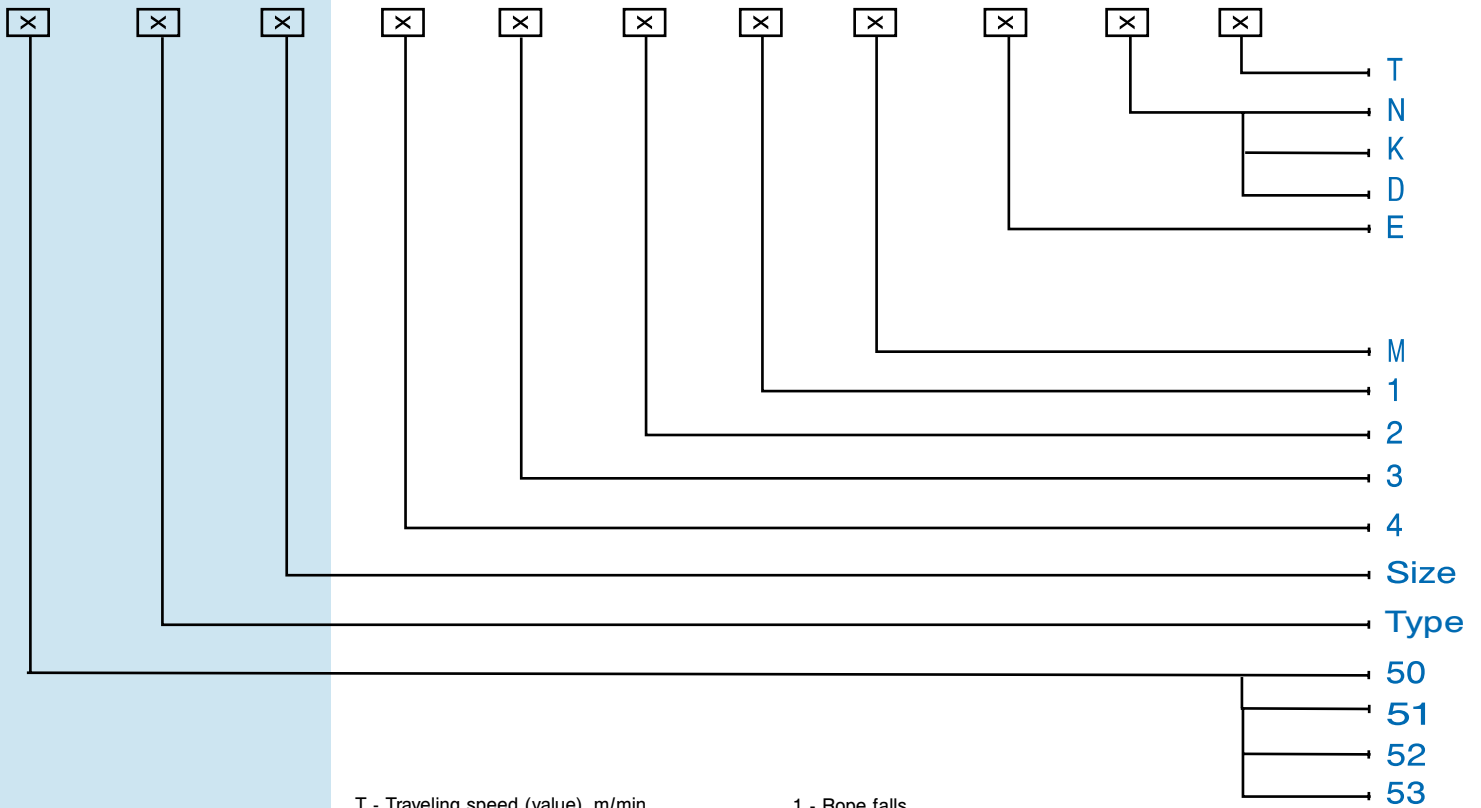
The reactions are for upper end position of the hook and speed V1.

PODEM'S STANDARD HOISTS' LIFTING MOTORS USAGE							
Hoist type	Reeving	MOTOR TYPE normal lift. sp. V1	P, Kw	I, (A)	MOTOR TYPE normal lift. sp. V2	P, Kw	I, (A)
MT304 MT305	2/1; 4/1	CT112M-12/4BR11-240Tp1	0,83/2,5	5,8/6	CT112M-12/4BR11-240Tp1	0,83/2,5	5,8/6
MT306 MT308	2/1; 4/1	CT112M-12/4BR11-240Tp1	0,83/2,5	5,8/6	CT132MA-12/4BR11-240Tp1	1,33/4	7,6/9
MT310 MT312	2/1; 4/1	CT132MA-12/4BR11-240Tp1	1,33/4	7,6/9	CT132MB-12/4BR11-240-6Tp1	2/6	10/13
MT313 MT316	2/1; 4/1	CT132MB-12/4BR11-240Tp1	1,66/5	8,4/10,8	DM16-55-16/4; D649AK	1,9/7,8	10/18
MT520 MT525	2/1; 4/1	MB 160MB-4/12 FI290	8/2,6	17,7/14,5	MB160LB-4/12 FI290	11,8/3,9	29,7/29
M740	2/1; 4/1	MB 160LB-4/12 FI360	11,8/3,9	29,7/29	K3518A-24/4 Tp1	3,7/22	71/48
M950 M963	2/1; 4/1	K3517-24/6 Tp1	3/13	40/30	K3518-24/4 Tp1	3,7/22	71/48
*M980 M1100 M1125	2/1; 4/1	K3518-24/6 Tp1	4/16	70/36	K3518-24/4 Tp1	3,7/22	71/48

* M980...4/1 = 32t hoist

The strongly developed engineering department gives as the opportunity to enter the filed of the non-standard product range in the wire rope hoist market. A comprehensive in house engineering and production capabilities meet every customer need for components and overall solutions in the crane industry.

STANDARD HOISTS CATALOGUE



T - Traveling speed (value), m/min

Hoisting mechanism only

N - Monorail trolley – standard headroom

K - Monorail trolley – low headroom

D - Double rail trolley

E - Electric trolley

M - Microlift

1 - Rope falls

2 - Lifting speed (V1, V2), m/min

3 - Hook travel (H and value), m

4 - Drum hoisting force, kN

Size

Type - Electric hoist M/MT

50 - Load limiter and emergency stop

51 - Load limiter, emergency stop and latch key

52 - Load limiter, emergency stop and thermal protection

53 - Load limiter, emergency stop, thermal protection and latch key

SELECTION EXAMPLE

52 MT525 H7 V1-4/1 M E N 20/5

- 52 - load limiter, emergency stop and thermal protection
- MT - hoist type
- 525 - type group 525, size 500, drum hoisting force 25 kN
- H7 - hook travel 7 m
- V1 - lifting speed V1-4/1 m/min
- 4/1 - rope falls 4/1
- M - two lifting speeds
- E - with electric trolley
- N - monorail trolley for standard headroom
- 20/5 - travel speed 20/5 m/min

In addition to the standard product list Podemcrane offers advanced engineering for custom made solutions in different industry areas.

SELECTION CRITERIA

When choosing the proper hoist take into account the following considerations:

1. The maximum load (capacity);
2. The maximum hook travel;
3. The lifting speed needed (optional micro speed);
4. The trolley speed needed;
5. The operating conditions.

The general hoist model is defined in accordance with the load spectrum, the average daily operating time, the capacity and the reeving.

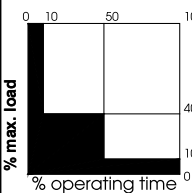
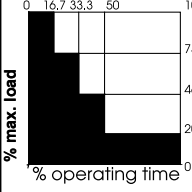
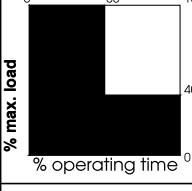
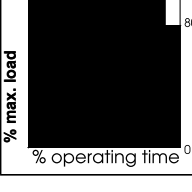
SELECTION EXAMPLE	
Capacity	6300 kg
Hook travel (H)	7 m
Lifting speed (V)	6 m/min
Reeving	4/1
Load spectrum	medium
Cycles per hour (N)	10
Daily working time (T)	8 hours

The average daily operating time is determined by the equation:

$$T_m = \frac{2 \cdot H \cdot N \cdot T}{60 \cdot V} = \frac{2 \cdot 7 \cdot 10 \cdot 8}{60 \cdot 6} = 3.1 \text{ h}$$

To the "medium" load spectrum and 3,1 average daily operating time the 2m (M5) duty mode corresponds as shown in the Load Spectrum/ Duty Mode Table.

Basing on the given values of capacity – 6 300 kg and reeving – 4/1, the Type Selection Table exhibits the MT 316 hoist models group.

Load Spectrum (Operation Mode)		Working Time Class (Average daily Operating Time) T_m (h)			
Light	Mechanisms, usually subject to very light loads and in exceptional cases only to maximum loads		2-4	4-8	8-16
			1-2	2-4	4-8
Medium	Mechanisms, usually subject to light loads but more often to maximum loads		0,5-1	1-2	2-4
			0,25-0,5	0,5-1	1-2
Heavy	Mechanisms, usually subject to medium loads but rather often to maximum loads		1Am	2m	3m
			M4	M5	M6
Very Heavy	usually subject to maximum or almost maximum loads		1Am	2m	3m
			M4	M5	M6
Duty Mode	FEM 9.511 / DIN 15 020		1Am	2m	3m
	ISO 4301		M4	M5	M6

Selection of Type Group					
Rope falls		Size	Type Group		
2/1	4/1		Capacity, kg		
800	1600				MT304
1000	2000	MT300		MT305	
1250	2500				MT306
1600	3200	MT300		MT308	
2000	4000				MT310
2500	5000	MT300		MT312	MT313
3200	6300	MT300		MT316	
4000	8000				MT520
5000	10000	MT500		MT525	
6300	12500				M732
8000	16000	M700		M740	M940
10000	20000			M950	
12500	25000	M900	M963		
-	32000				M980
20000	40000			M1100	
25000	50000	M1000	M1125		

11/2008

PODEMCRANE

1, General Nikolov Str.
5300 Gabrovo, Bulgaria
tel: +359 66 801364
fax: +359 66 801365
e-mail: sales@podem.bg
www.podem.bg

Distributed by:

